



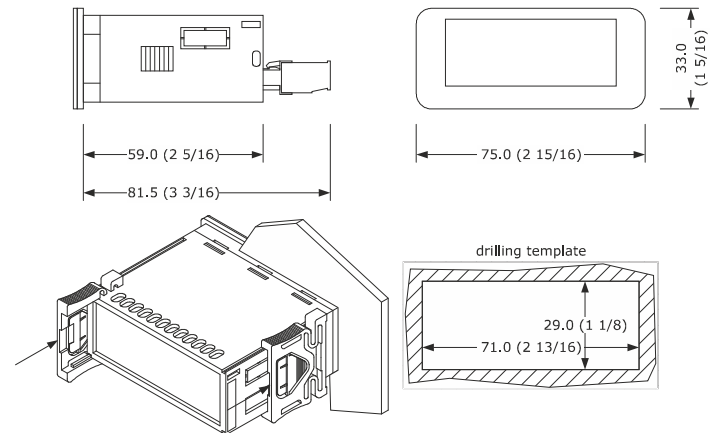
E ENGLISH

- Power supply 115... 230 VAC.
- Room probe and refrigerated water/hot water probe (PTC/NTC).
- Capable of managing both 2 and 4 pipes units.
- Capable of managing both on-off (up to 3 speed) and modulating fans.
- Alarm buzzer.
- TTL MODBUS slave port for remote monitoring system EPoCA or for BMS.
- Operation with programming key.

N.B.
For more information see the application manual.

1 MEASUREMENTS AND INSTALLATION

Measurements in mm (inches). To be fitted to a panel, snap-in brackets provided.

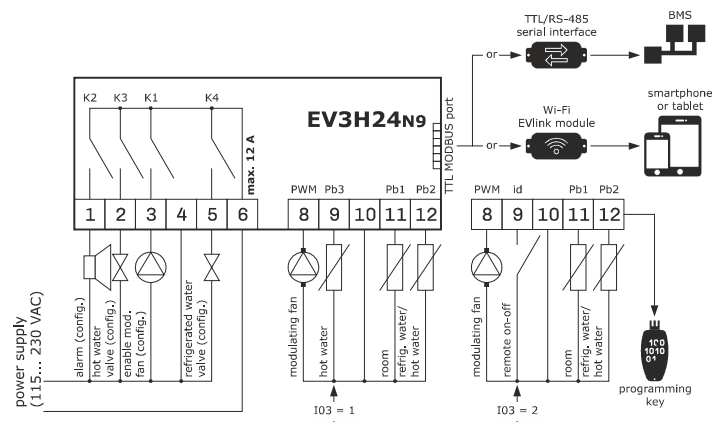


INSTALLATION PRECAUTIONS

- The thickness of the panel must be between 0.8 and 2.0 mm (1/32 and 1/16 in)
- Ensure that the working conditions are within the limits stated in the **TECHNICAL SPECIFICATIONS** section.
- Do not install the device close to heat sources, equipment with a strong magnetic field, in places subject to direct sunlight, rain, damp, excessive dust, mechanical vibrations or shocks.
- In compliance with safety regulations, the device must be installed properly to ensure adequate protection from contact with electrical parts. All protective parts must be fixed in such a way as to need the aid of a tool to remove them.

2 ELECTRICAL CONNECTION

- N.B.**
- Use cables of an adequate section for the current running through them.
 - To reduce any electromagnetic interference connect the power cables as far away as possible from the signal cables.



PRECAUTIONS FOR ELECTRICAL CONNECTION

- If using an electrical or pneumatic screwdriver, adjust the tightening torque.
- If the device has been moved from a cold to a warm place, the humidity may have caused condensation to form inside. Wait about an hour before switching on the power.
- Make sure that the supply voltage, electrical frequency and power are within the set limits. See the section **TECHNICAL SPECIFICATIONS**.
- Disconnect the power supply before doing any type of maintenance.
- Do not use the device as safety device.
- For repairs and for further information, contact the EVCO sales network.

3 TECHNICAL SPECIFICATIONS

Purpose of the control device	Function controller
Construction of the control device	Built-in electronic device
Container	Black, self-extinguishing
Category of heat and fire resistance	D
Measurements	75.0 x 33.0 x 59.0 mm (2 15/16 x 1 5/16 x 2 5/16 in) with fixed screw terminal blocks
Mounting methods for the control device	To be fitted to a panel, snap-in brackets provided
Degree of protection provided by the covering	IP65 (front)
Connection method	Removable screw terminal blocks for wires up to 2,5 mm ² ; by request
Fixed screw terminal blocks for wires up to 2,5 mm ²	Maximum permitted length for connection cables
Power supply: 10 m (32.8 ft)	Analogue inputs: 10 m (32.8 ft)
Digital inputs: 10 m (32.8 ft)	Analog outputs: 3 m (9.84 ft)
Digital outputs: 10 m (32.8 ft)	
Operating temperature	From 0 to 55 °C (from 32 to 131 °F)
Storage temperature	From -25 to 70 °C (from -13 to 158 °F)
Operating humidity	Relative humidity without condensate from 10 to 90%
Pollution status of the control device	2
Conformity	
RoHS 2011/65/CE	WEEE 2012/19/EU
REACH (EC) Regulation 1907/2006	
EMC 2014/30/UE	LVD 2014/35/UE
Power supply	115... 230 VAC (+10% -15%), 50/60 Hz (±3 Hz), max. 3.2 VA
Earthing methods for the control device	None
Rated impulse-withstand voltage	2,5 KV
Over-voltage category	II
Software class and structure	A

Analogue inputs	2 for PTC or NTC probes (room probe and refrigerated water/hot water probe)	
PTC probes	Sensor type	KTY 81-121 (990 Ω @ 25 °C, 77 °F)
	Measurement field	From -50 to 150 °C (from -58 to 302 °F)
	Resolution	0.1 °C (1 °F)
NTC probes	Sensor type	B3435 (10 KΩ @ 25 °C, 77 °F)
	Measurement field	From -40 to 105 °C (from -40 to 221 °F)
	Resolution	0.1 °C (1 °F)
Other inputs	Input configurable for analogue input (hot water probe) or digital input (remote on-off input, dry contact)	
Dry contact	Contact type	5 VDC, 1.5 mA
	Power supply	None
	Protection	None
Analogue outputs	1 for PWM signal (fan inverter)	
PWM signal	Power supply	12 VDC (+16 % -25 %), 20 mA max.
	Frequency	0... 150 Hz
	Protection	None
Digital outputs	4 electro-mechanical relays	
Relay K1	SPST, 8 A res. @ 250 VAC	
Relay K2	SPST, 5 A res. @ 250 VAC	
Relay K3	SPST, 16 A res. @ 250 VAC	
Relay K4	SPST, 5 A res. @ 250 VAC	
Type 1 or Type 2 Actions	Type 1	
Additional features of Type 1 or Type 2 actions	C	
Displays	3 digits custom display, with function icons	
Alarm buzzer	Incorporated	
Communication ports	1 TTL MODBUS slave port for remote monitoring system EPoCA or for BMS	

N.B.
The device must be disposed of according to local regulations governing the collection of electrical and electronic waste.

This document and the solutions contained therein are the intellectual property of EVCO and thus protected by the Italian Intellectual Property Rights Code (CPI). EVCO imposes an absolute ban on the full or partial reproduction and disclosure of the content other than with the express approval of EVCO. The customer (manufacturer, installer or end-user) assumes all responsibility for the configuration of the device. EVCO accepts no liability for any possible errors in this document and reserves the right to make any changes, at any time without prejudice to the essential functional and safety features of the equipment.